

OG5 100L/Min Oval Gear Meter



The compact rugged OG5 oval gear flowmeter is designed to give high performance with a low cost of ownership. It has a standard flow range from 0.5 to 100 L/min on 30 cSt oil and 4 to 100 L/min on water like liquids. It can have totally non-metallic wetted components, PEEK, ceramic and an elastomer which makes this the ideal choice for the metering of aggressive chemicals. The standard inlet and outlet are 1" female threads. For OEM use alternatives, including manifold mountings, are available. The standard model is 316 St St with Viton® 'O' ring seal.

At the heart of the meter are a pair of toothed oval gears one of which contains chemically resistant magnets. Rotation is detected through the chamber wall by a Hall Effect detector or a reed switch giving approximately 78 pulses per litre passed. The output is an NPN pulse or a voltage free contact closure either of which is readily interfaced with most electronic display or recording devices. This combination of materials and technology ensures a long life product with reliable, accurate operation throughout.



IDEAL FOR

- Engine test
- Oil flow
- High viscosity fluids
- OEM equipment
- Hazardous areas

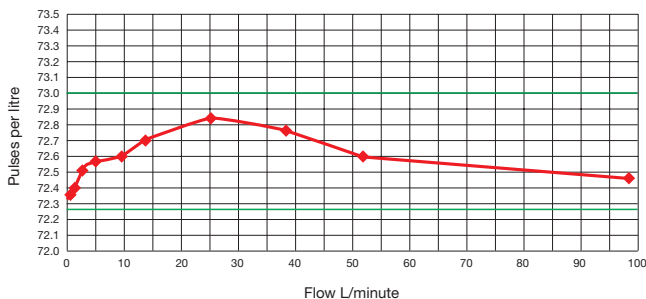


FEATURES

- Excellent chemical resistance
- Rugged construction
- Individual calibration
- High viscosity capability
- Low pressure loss
- No flow conditioning required
- Compact meter assembly
- Hall, reed switch or Namur sensor
- Accuracy 0.75% reading water
0.5% reading oil (30 cSt)
- ±0.25% reading *
- 0.1% repeatability
- IP67/NEMA 4 protection
- Models to 400 Bar

* When used with our metra-smart instrument

OG5 30cStk oil 'K' Factor
vs Flow rate





Ordering codes

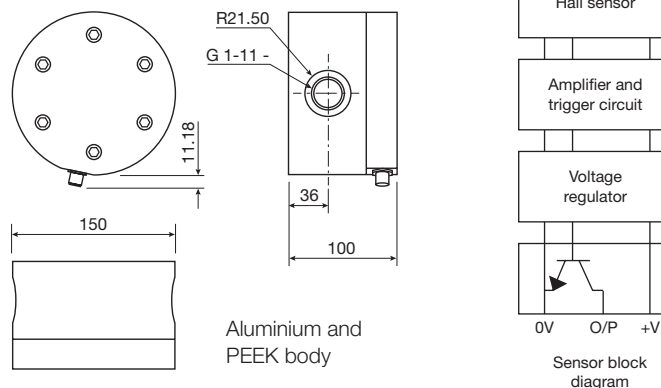
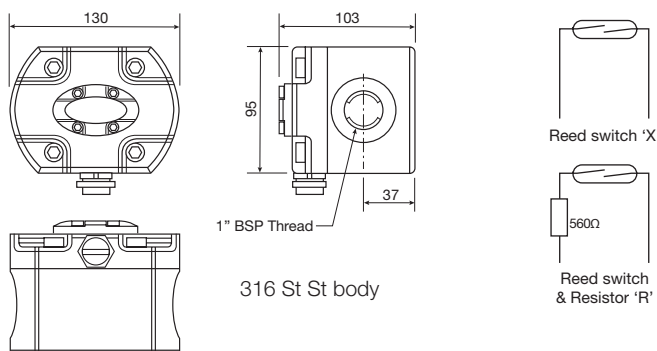
Model	
OG5	
Body material	
S = 316 St St 50 Bar std	
A = Aluminium 10 Bar max	
P = PEEK	
H = Hastelloy C	
Temp rating	
S = 80°C / 158°F	
T = 100°C / 212°F	
U = 150°C / 300°F	
Pressure rating	
5 = 50 Bar 750 PSI (St St)	
1 = 10 Bar 150 PSI (Al / PEEK)	
4 = 400 Bar 5880 PSI (St St)	
Seal Material	
V = Viton®	
N = Nitrile	
E = EPDM	
P = PTFE (50Bar max)	
K = Kalrez®	
Detector Type	
H = Hall effect	
R = Reed Switch & Resistor	
N = Namur	
X = Reed Switch (Hazardous area)	
Pipe Thread	
U = 1" (OG5 std)	
Connections	
B = BSP F	
N = NPT F	
F = Flanged (specify)	

e.g. **OG5-SS5-VHU-B** is a stainless steel meter rated at 80°C, 50 Bar, Viton® seal, Hall effect detector and a 1" BSP thread.



TECHNICAL SPECIFICATIONS

Sample product codes →	Stainless standard OG5-SS5-VHU-B	Aluminium standard OG5-AS1-VHU-B	PEEK standard OG5-PS1-VHU-B
Flow range – Water – 30 cSt Oil	4.0 - 100 L/min 0.5 - 100 L/min	4.0 - 100 L/min 0.5 - 100 L/min	4.0 - 100 L/min 0.5 - 100 L/min
Wetted parts– Body – Gears – Seal – Magnet	316 St St Carbon filled PEEK Viton® Ceramic	Aluminium Carbon filled PEEK Viton® Ceramic	PEEK Carbon filled PEEK Viton® Ceramic
Accuracy – Water – 30 cSt oil	± 0.75% Reading ± 0.5% Reading	± 0.75% Reading ± 0.5% Reading	± 0.75% Reading ± 0.5% Reading
Repeatability	± 0.1%	± 0.1%	± 0.1%
Detector Type	Hall effect	Hall effect	Hall effect
Terminations	M20	MIL connector	M12
Approx 'K' factor – Pulses/Litre	78	78	78



Weight (kg)		
St St	50 Bar	5.000
PEEK	10 Bar	2.250
Aluminium	10 Bar	2.250
St St	400 Bar	9.400

TITAN ENTERPRISES LTD.
Coldharbour Business Park, Sherborne, Dorset DT9 4JW
 Tel: (44) 01935 812790
 Email: sales@flowmeters.co.uk
www.flowmeters.co.uk

For reference only; for latest information contact your local distributor.