

Beverage Meter



IDEAL FOR

- Drinks dispensing
- Beer monitoring
- Cooling equipment
- Semiconductor plant
- Food and beverage



FEATURES

- Low cost
- PVDF body
- Sapphire bearings
- Hall effect sensor
- 5 to 24Vdc
- 10 Bar rating
- Viton® seal as standard
- 3/8" John Guest style
- IP65
- 0.1% repeatability
- NSF Certified for use in food and beverage production



Standard Materials of Construction

- Body and cap - PVDF
- 'O' Ring seal - Viton®
- Magnets - Over-moulded
- Bearings - Sapphire

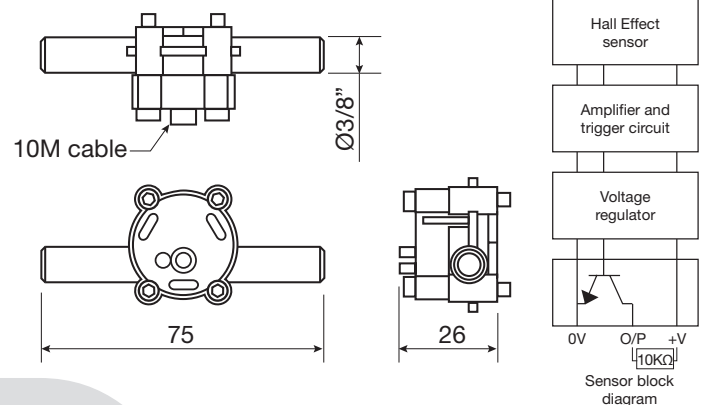
This flowmeter is designed specifically for the drink dispensing industries including beer wines and spirits. They give high performance and competitive pricing with a flow range up to 10 litres per minute. They have totally non-metallic wetted components which makes them the ideal choice for the metering of food based products and even ultra-pure water. The standard inlet tubes are 3/8" push on pipe connectors, for OEM use alternatives are available. The bearings are made of sapphire for long life and reliability, the body is moulded in a choice of thermo-plastics (PVDF as standard) and the 'O' ring seal is typically Viton®.

At the heart of the meter is a precision turbine that rotates freely on robust sapphire bearings and contains over-moulded magnets that are detected through the chamber wall by a Hall effect detector. The output is a stream of NPN pulses that are directly interfaced with the electronic display. This combination of materials and technology ensures a long life product with reliable operation throughout.



TECHNICAL SPECIFICATIONS

Model	Flow range L/Min	Linearity % FSD	Typical Freq. Hz.	Approx. 'K' Factor
300-010	0.6 - 10	1.0	235	1420
Weight	0.150kg			



TITAN ENTERPRISES LTD.

Coldharbour Business Park, Sherborne, Dorset DT9 4JW

Tel: (44) 01935 812790

Email: sales@flowmeters.co.uk

www.flowmeters.co.uk

For reference only; for latest information contact your local distributor.