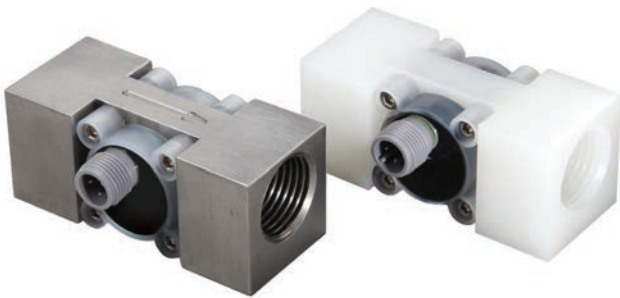


1000 Series Flowmeter



The 1000 series flowmeter is designed to give high performance and competitive pricing with 7 flow ranges from 0.05 to 30 L/min. Its choice of body materials makes this the ideal choice for the metering of aggressive chemicals, including ultra-pure water. The standard inlet is a 1/2" BSPF although for OEM use alternatives are available. The bearings are made of sapphire for long life and reliability, the body is either PVDF or 316 stainless steel and as standard the 'O' ring seal is Viton®.



IDEAL FOR

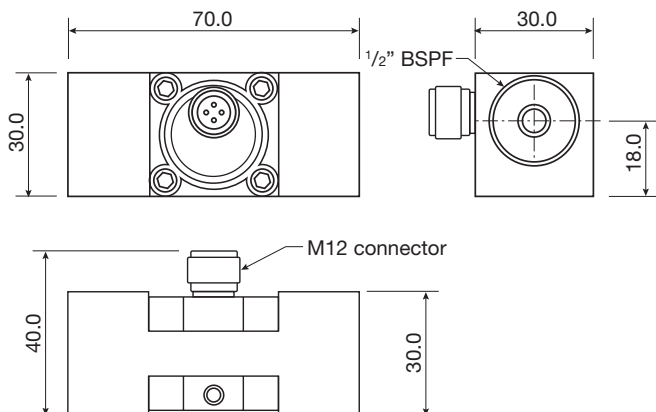
- Laboratory tests
- Cooling equipment
- Active flow alarms
- Semiconductor plant
- Engine test

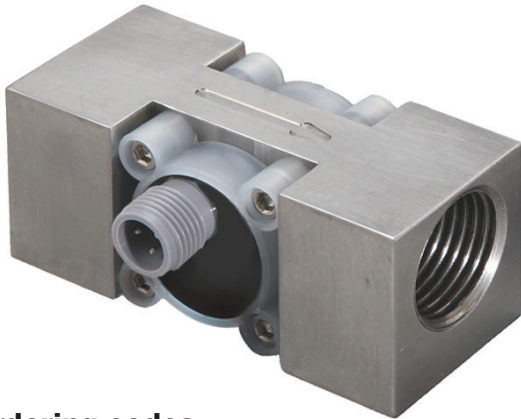


FEATURES

- Low cost
- PVDF or St St body
- $\pm 0.75\%$ Reading*
- 1- 2% FSD
- Sapphire bearings
- Hall Effect sensor
- 7 Flow ranges
- Pulse output (NPN Std)
- Pulse output (PNP Option)
- 10 Bar rating (40 Bar option)
- Viton® seal as standard
- 0.1% Repeatability
- 4.5 to 24Vdc
- -25°C Min to 125°C Max
- IP67

* When used with a Metra-Smart instrument





Ordering codes

Model
1003
1015
1045
1065
1010
1024
1000
'O' ring mtl
V = Viton®
N = Nitrile
E = EPDM
S = Silicon
Options
0 = Standard
2 = NPN – PNP
Body material
P = PVDF
S = 316 St St
Special OEM code
0 = Standard
U = Uncalibrated

e.g. **1065-VOP-0** is a flow range of 0.25 to 6.5 L/min, Viton® seal, standard electronics, PVDF body flowmeter with a standard six point calibration.

Standard Materials of Construction

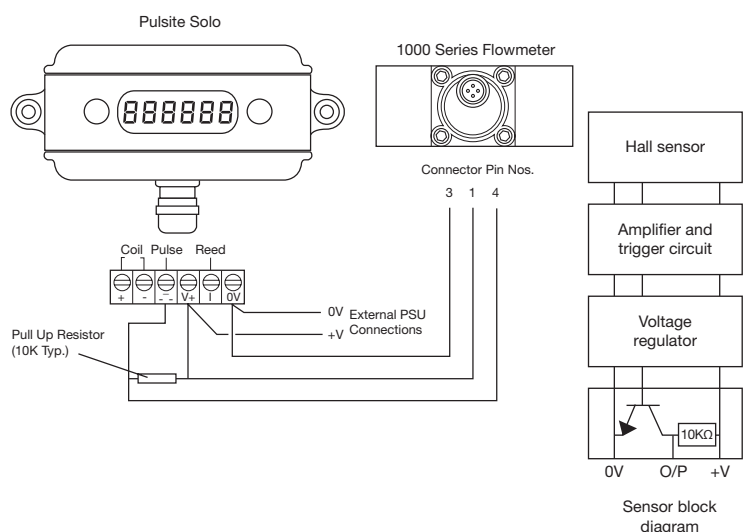
Body and cap	- PVDF or 316 St St
'O' Ring seal	- Viton®
Magnets	- Over-moulded
Bearings	- Sapphire

At the heart of the meter is a precision turbine that rotates freely on robust sapphire bearings and contains over-moulded magnets that are detected through the chamber wall by a Hall effect detector. The output is a stream of NPN pulses that readily interfaces with most electronic display or recording devices. This combination of materials and technology ensures a long life product with reliable operation throughout. There are two temperature options 125°C or 60°C. The 60°C unit is fitted with two LEDs to monitor the power and pulse output, both NPN and PNP transistor outputs are available on each flow meter.



TECHNICAL SPECIFICATIONS

Model	Flow range L/Min	Linearity % FSD	Typical Freq. Hz.	Approx 'K' Factor
1003	0.05 - 0.5	2.0	142	17000
1015	0.12 - 1.5	2.0	175	7000
1045	0.20 - 4.5	1.5	260	3500
1065	0.25 - 6.5	1.5	230	2100
1010	0.30 - 10.0	1.0	235	1420
1024	0.50 - 15.0	1.0	245	980
1000	2.00 - 30.0	1.0	360	720



Weight (kg)

St St	0.245
PVDF	0.085

TITAN ENTERPRISES LTD.

Coldharbour Business Park, Sherborne, Dorset DT9 4JW

Tel: **(44) 01935 812790**

Email: sales@flowmeters.co.uk

www.flowmeters.co.uk

For reference only; for latest information contact your local distributor.