

Product information



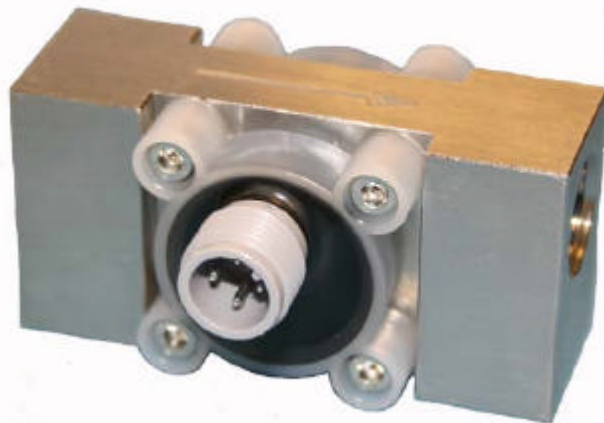
900 series data sheet

- Low cost
- PVDF or St St body
- $\pm 0.75\%$ Reading *
- 1- 2% FSD
- Sapphire bearings
- Hall effect sensor
- 6 Flow ranges
- Pulse output
- 10 Bar rating
- Viton seal as std.
- $\frac{1}{4}$ " BSP connections
- 0.1% Repeatability
- 4.5 to 24 V dc
- 125°C Max
- Flow switch option

* When used with a metra-smart instrument

Ideal for

- ◆ Laboratory tests
- ◆ Cooling equipment
- ◆ Active flow alarms
- ◆ Semiconductor plant
- ◆ Engine test



The 900 series flowmeter is designed to give high performance and competitive pricing with 6 flow ranges from 0.05 to 15 litres per minute. Its choice of body materials makes this the ideal choice for the metering of aggressive chemicals, including ultra-pure water. The standard inlet is $\frac{1}{4}$ " BSP F although for OEM use alternatives are available. The bearings are made of sapphire for long life and reliability, the body is either PVDF or 316 stainless steel and as standard the 'O' ring seal is Viton™.

TITAN ENTERPRISES LTD.

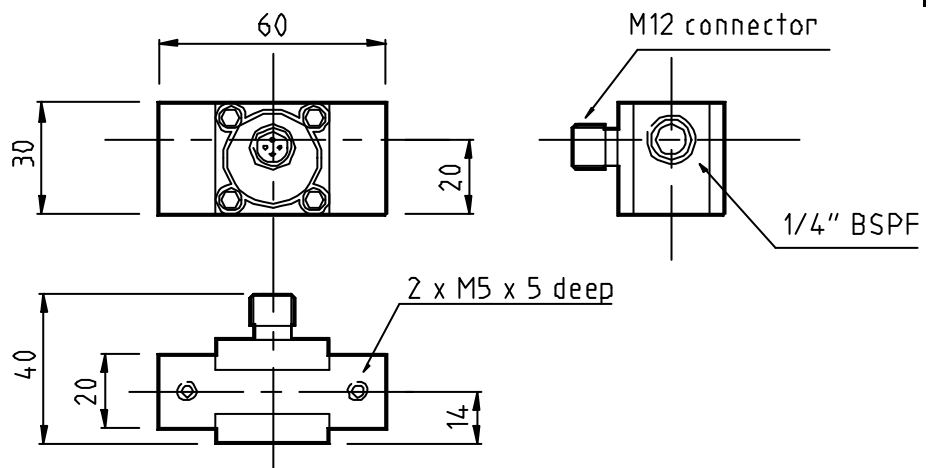
Coldharbour Business Park,
Sherborne,
Dorset,
DT9 4JW

Phone (44) 01935 812790.

Fax (44) 01935 812890

Web www.flowmeters.co.uk

Sales@flowmeters.co.uk



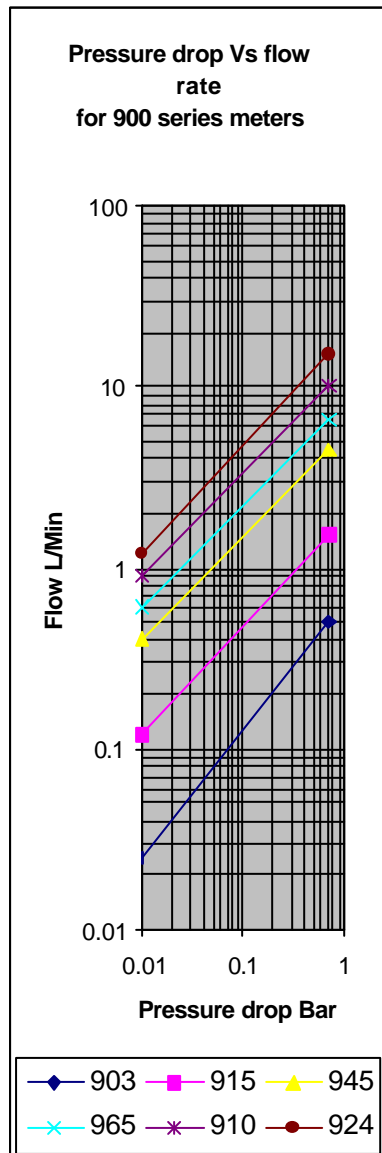
Model	Flow range L/Min	Linearity % FSD	Typical Freq. Hz.	Approx 'K' Factor
903	0.05-0.5	2.0	142	17000
915	0.12-1.5	2.0	175	7000
945	0.2-4.5	1.5	260	3500
965	0.25-6.5	1.5	230	2100
910	0.3-10	1.0	235	1420
924	0.5-15	1.0	245	980

Standard Materials of construction

Body and cap - PVDF or 316 St St
'O' Ring seal - Viton
Magnets - Ceramic
Bearings - Sapphire

Flow range L/Min	'O' ring mat'l	Flow switch option	Body material	Special OEM code
903 = 0.05-0.5	V = Viton	Q = Standard	P = PVDF	Q = Standard
915 = 0.12-1.5	N = Nitrile	I = Flow switch	S = 316 St St	U = Uncalibrated
945 = 0.2-4.5	E = EPDM		B = Brass	
965 = 0.25-6.5	S = Silicon			
910 = 0.3-10				
924 = 0.5-15				

e.g. **965-VOP-O** is a flow range of 0.25 to 6.5 L/Min, viton seal, standard, PVDF bodied flowmeter with a 6 point traceable water calibration.



At the heart of the meter is a precision turbine that rotates freely on robust sapphire bearings and contains chemically resistant ceramic magnets that are detected through the chamber wall by a Hall effect detector. The output is a NPN pulse that is readily interfaced with most electronic display or recording devices. This combination of materials and technology ensures a long life product with reliable operation throughout.

