

Product information



Sight flow data sheet

- High visibility rotor
- Cost effective
- 5 flow ranges
- Rotatable body
- 10 bar
- 100°C
- Chemically resistant
- Compact
- Viton™ seals
- 316 St St body
- 3 fitting sizes
-

Ideal for

- ◆ Coolant monitoring
- ◆ Test rigs
- ◆ Local indication

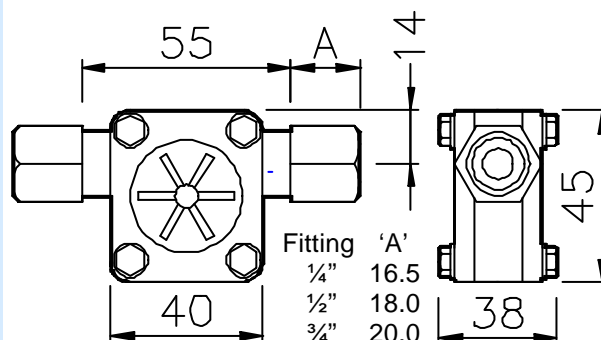


The sight flow indicators are designed to be installed in any attitude and then simply rotated to give the best viewing angle of the freely rotating spinner. The devices are very versatile as they can have a choice of fittings and the flow range is simply selected by inserting the appropriately sized jet under the inlet fitting. These are inserted into the body and sealed with an integral 'O' ring, then locked in place with a locking pin. The standard choice for connectors is 1/4", 1/2" and 3/4" BSP although for OEM use almost any style of fluid connector could be fabricated. The 316 stainless steel body contains a PVDF spinner that is visible through the clear polysulfone windows. All of the 'O' rings are viton although for OEM use these again could be any convenient elastomer. The standard operating flow ranges are from 0.1 to 30 litres per minute depending on the jet size and the fluid characteristics. The maximum pressure and temperature is 10 Bar and 100°C.

TITAN ENTERPRISES LTD.

Coldharbour Business Park,
 Sherborne,
 Dorset,
 DT9 4JW

Phone (44) 01935 812790.
 Fax (44) 01935 812890
 Web www.flowmeters.co.uk
 Sales@flowmeters.co.uk



Order code

Sight flow indicator

1/4" Fittings 199-025

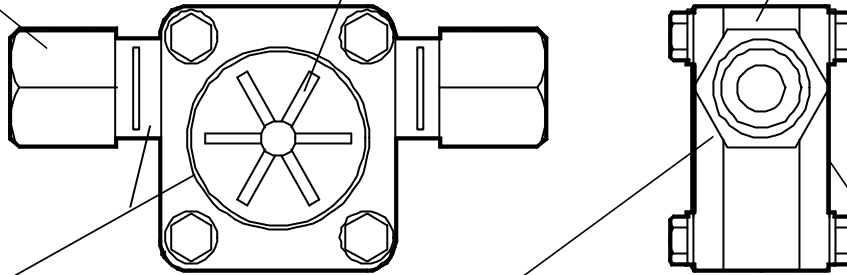
1/2" Fittings 199-050

3/4" Fittings 199-075

¼", ½" or ¾" fittings as standard. For OEM use alternatives are available.

PVDF spinner on a 316 stainless steel spindle

The body and fittings are manufactured from high quality 316 stainless steel.

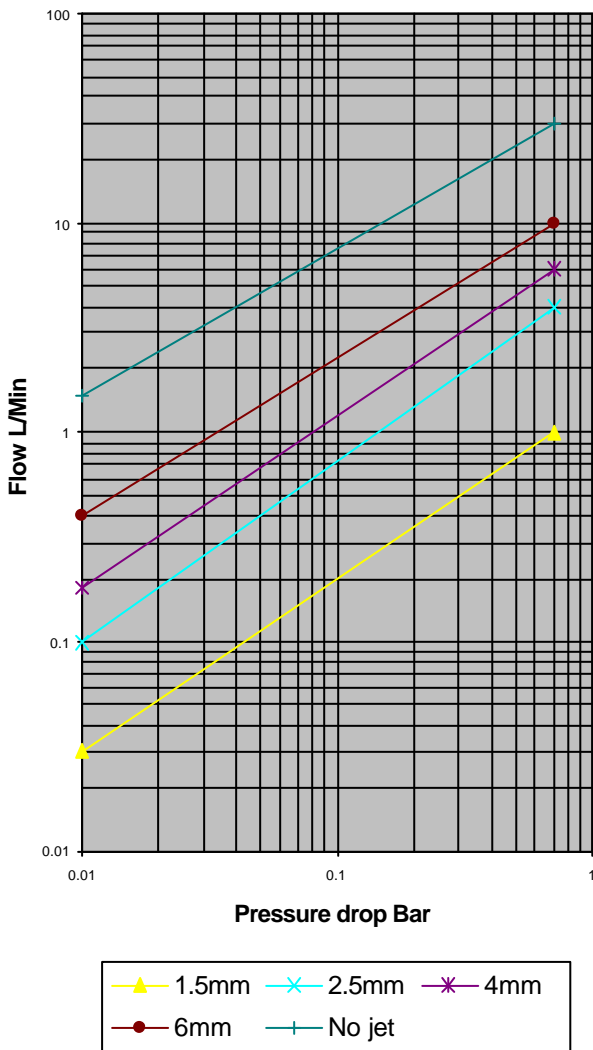


Cover and fittings seals are Viton™ as standard. Alternatives are available.

Body may be rotated on the fittings for the best viewing angle.

Chemically resistant high clarity polysulfone windows

Pressure drop Vs flow rate for various jet options



Designed for almost any situation, where the liquid is not opaque, the sight flow indicator is a benefit where a visual check of fluid moving is desired. A standard body contains a stepped bore that accepts a choice of end fittings and the option of inserting a ranging jet. This system means that the standard body may be tailored to the particular flow/pipe conditions. The stock fittings are manufactured in 316 stainless steel and have parallel female British standard pipe threads. Due to the simple design of the device the fittings may easily be removed to insert the jet on the inlet side to change the device's flow range. A screw driver is pushed under the 'U' shaped fitting locking pins and twisted to remove them. The ranging disc is then simply removed or inserted as required. Care must be taken when re-inserting the fitting and pins to ensure that the 'O' ring is not damaged and that the fittings are firmly locked into place. For original equipment manufacturers there are many options including changes in 'O' ring, fitting, spinner and cover materials as well as the ability to tailor the flow range and pressure drop to the particular application.