

# METRA-COUNT DATA SHEET

- 8 Digit total
- 8 digit accumulated total
- Simple programming with English prompts
- Scaleable pulse output
- IP67 (Nema 4X)
- Clear 9mm LCD display
- Remote/local reset
- Long battery life (up to 10 years)
- 20 to 80 °C Operation
- Non volatile memory
- Low battery indicator

- Ideal for Flow total & accumulated total
- Production lines
- Fuel consumption
- Process indicators



TITAN ENTERPRISES LTD.

Coldharbour Business Park,  
 Sherborne,  
 Dorset,  
 DT9 4JW

Phone (44) 01935 812790.

Fax (44) 01935 812890

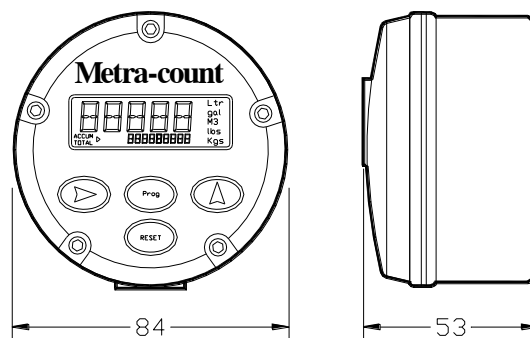
Web [www.flowmeters.co.uk](http://www.flowmeters.co.uk)

Sales@flowmeters.co.uk



Metra-count

The metra-count was specifically designed for computing & displaying totals from flowmeters or machinery with pulse or frequency outputs. The instrument will display Re-settable Total and an Accumulated Total in engineering units as programmed by the user. Simple PIN protected flow chart programming with English prompts guide you through the entire programming routine greatly reducing the need to refer to the instruction manual. The optional pulse output can be selected to act as an input pulse repeater serving as a signal conditioner module or may be programmed as a scaled pulse output for remote metering. The pulse output requires an external 8 - 24Vdc power supply, the pulse width is auto-ranging 1:1 defaulting to 300ms maximum. The robust housing is purposely designed to suit harsh indoor & outdoor industrial and marine environments. It is weatherproof to P66 (Nema 4X) standards, UV resistant and uses glass reinforced nylon mouldings with stainless steel screws & viton O-ring.



## Specification

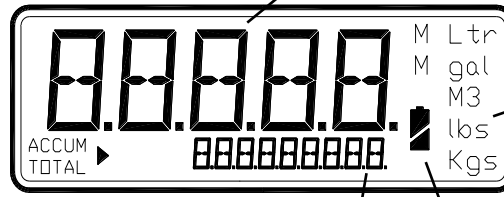
<b>Display</b>	Custom multifunction LCD
<b>Signal inputs</b>	Universal pulse-frequency input
<b>Power</b>	Battery and/or external 8-24Vdc
<b>Pulse output</b>	Scalable
<b>Enclosure</b>	IP66 (NEMA 4X) .
<b>K Factor range</b>	0.001 to 9,999,999.999

## Mat'ls of construction

UV resistant glass reinforced nylon case, polycarbonate cover, viton seals and stainless steel screws.

The drawing below shows all of the segments on the LCD display illuminated. This occurs for five seconds whenever the program mode is entered.

## LCD display



The 5 digit Total display is front panel re-settable and can be programmed for up to three decimal places

Engineering units - selected during the initial programming routine.

Accumulative total - up to 3 decimal places. Reset only through a PIN protected security code.

Battery condition indicator shows only when the battery is low. Battery life can be between 5 and 7 years depending on usage.

## Specification

The display unit has a 5 Digit re-settable totaliser with a 7.5mm character height. The 8 digit accumulative total is 3.6mm high and the engineering units enunciator is 3.6mm. There is a separate low battery indicator. The decimal point position is independent for each totaliser. Programming is very simple with English programming prompts. The versatile universal pulse-frequency input is compatible with reed switch, Hall effect detector, magnetic coil (20mV P-P), Voltage pulse & Namur proximity detectors. Maximum input frequency 500 to 5Khz depending on sensor type. Power is provided Internally by a 3.6V dc Ultra lithium battery. Life expectancy 5 - 7 years (less with the coil input). An external power supply (8-24Vdc regulated) may also be used. There are 2 Pulse outputs, one is non scalable with a selectable NPN/PNP transistor. The second scaled output replaces the repeater pulse output above and has a maximum frequency of 50 Hz. 50mA max. The enclosure is sealed to IP66 (NEMA 4X) and is manufactured in high impact glass reinforced nylon. Self drill cable gland in the base or rear. Operating temperature range -20°C to +80°C and K Factor range is selectable between 0.001 & 9,999,999.999.

**Order code - 380-051**

