

CUB 5 DATA SHEET

- 8 Digit totaliser
- 5 Digit rate meter
- High speed count
- IP65 (Nema 4X)
- Non volatile memory
- 9-24V dc operation
- Clear 11.7mm LCD
- Programmable decimal point
- Pulse input
- Input filter
- 0 - 60°C
- Competitively priced
- Wall mounting option
- Optional relay card
- Optional red/green backlight

Ideal for

- Continuous monitoring
- Test rigs
- Consumption metering
- Flow switch



TITAN ENTERPRISES
LTD.

Coldharbour Business Park,
Sherborne,
Dorset,
DT9 4JW

Phone (44) 01935 812790.

Fax (44) 01935 812890

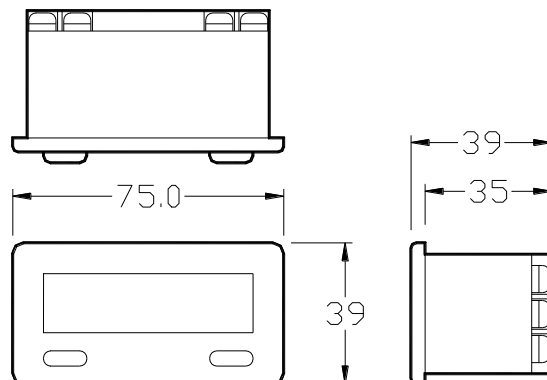
Web www.flowmeters.co.uk

Sales@flowmeters.co.uk



Cub 5

This versatile multi function counter and rate meter can display rate or total or when fitted with a relay card provide rate switch or counter set point. The counter continues to record the total when the rate display is selected. The counter scale factor range is 0.00001 to 99.999999 and the rate meter can display 0.1 to 99999.9 for the selected input frequency. The counter and rate meter can both display up to five decimal points. The housing is made from high impact polymer that when installed in a panel seals the instrument to IP65 (NEMA 4X). Connections to the meter are via screwed terminal on the rear. Selectable pulse inputs ensure no erroneous pulses are recorded by "noisy" switch contacts. An optional rear mounted power supply converts the instrument into a mains powered unit and will supply up to 50 mA for the sensor.



Specification

Display LCD 8 digit total 6 digits for rate with "R" enunciator 5 programmable decimal points for both totaliser and rate indicator

Signal inputs Universal pulse frequency input compatible with reed switch, Hall effect detector, Voltage pulse. Maximum input frequency 50 to 20Khz depending on sensor type minimum 0.01Hz,

Power 9 - 24 V dc

Case IP66 (NEMA 4X) High impact glass polymer.

Temp -35°C to +80°C. max

K Factor 0.0001 - 99.9999 range

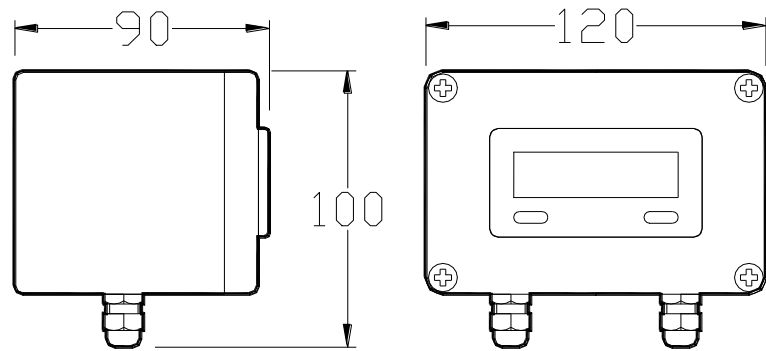
Order codes

CUB5	370-018
Mains PSU	370-019
Relay card	370-020
Backlit CUB5	370-021

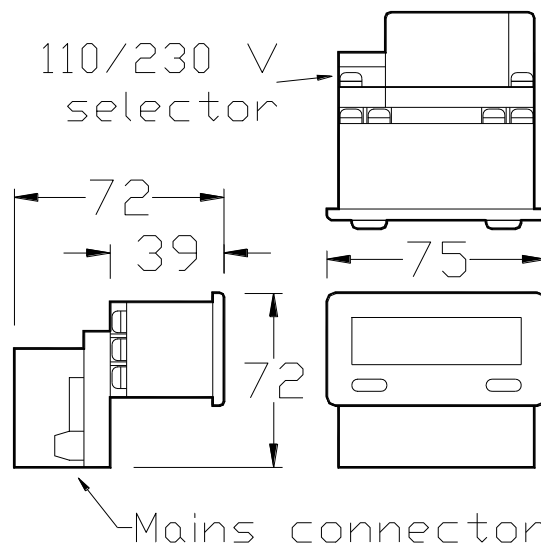
Mat'ls of construction

UV resistant glass re-inforced polymer case.

The drawings below show the CUB5 with its attached mains power supply and the wall mounted enclosure. The panel cut out is 68.5 X 33.5 mm, the minimum vertical and horizontal pitches are 55 & 75mm the panel thickness must be between 1.3 & 5mm.



Wall mounting centres 108 X 50 mm X M4 screw



General description

This versatile counter rate meter can be programmed for one of eight different count modes and/or rate indication with an optional relay card for a total or rate set point. There are two separate count inputs that can be programmed with differing scale factors and the display being the sum, difference, bi-directional etc of these counts. The rate function can be disabled, viewed at the touch of the front panel or remote button or automatically periodically displayed as the unit cycles through all of the programmed functions. The optional relay card may be configured as either a rate or count function and be set to either latch, automatically reset or reset itself after a pre-set time. The user input can be set to accept an external input to control some of these functions. If the backlit CUB5 is used the colour of the backlight can be made to change as the set point is reached to offer an immediate visual warning.