

ANALOGUE CONVERTER DATA SHEET

- 0/4-20mA, 0-5V or 0-10V
- IP65 (Nema 4X)
- Non volatile memory
- 15-24V dc operation
- Pulse input
- Output damping
- 0 - 50°C
- Competitively priced
- Wall mounting
- 4 frequency ranges
- Sensor PSU (5V)
- Separate zero & span adjustments
- Pulse input indicator
- Output status LED

Ideal for

- Data monitoring
- Test rigs
- Control systems



TITAN ENTERPRISES LTD.

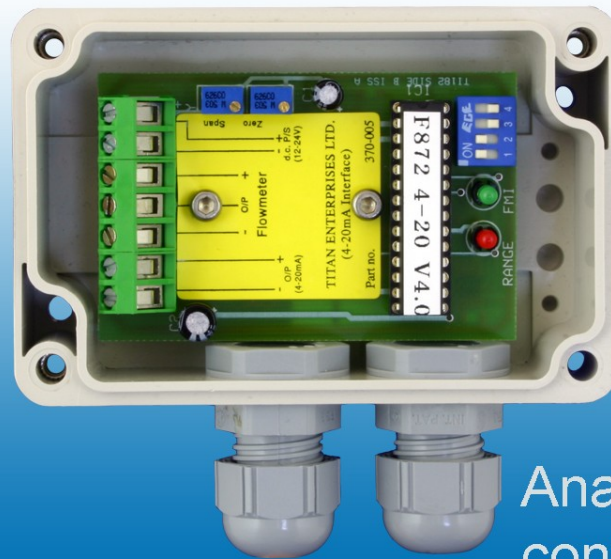
Coldharbour Business Park,
 Sherborne,
 Dorset,
 DT9 4JW

Phone (44) 01935 812790.

Fax (44) 01935 812890

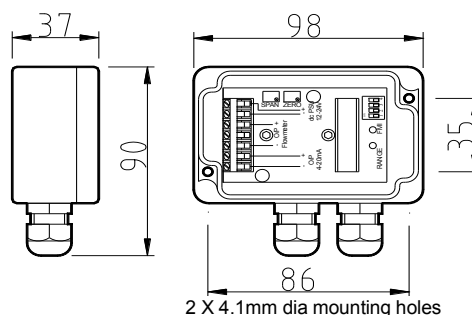
Web www.flowmeters.co.uk

Sales@flowmeters.co.uk



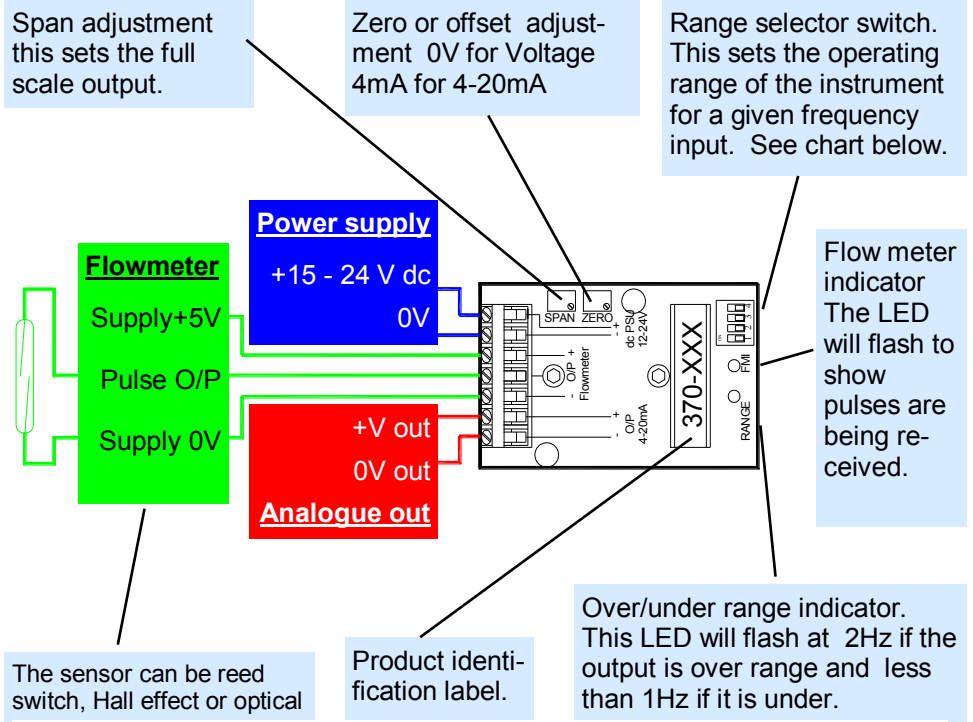
Analogue converter

This simple wall, or in some cases, flowmeter mounted instrument gives an analogue output proportional to flow. Three basic models are available offering 0/4 to 20 milliamp, 0 to 5 volt and 0 to 10 volt outputs. In all cases the offset and full scale adjustments are independent of each other. The standard converter has an input frequency range of 0.5 to 1 KHz. This is selectable via a pair of DIL switches. A special lower range version is available for use with lower frequency inputs such as positive displacement flowmeters, this device operates down to 0.25 Hz. At these very low frequencies the output can be "damped". Two status LEDs indicate whether pulses are being received and if the output is operating within its selected flow range. The enclosure is a high impact polymer that seals the unit to IP65 (NEMA 4X). Access to the terminals is via a pair of glands on the bottom of the enclosure.



Specification

Power	15 - 24 V dc
Output	0/4 to 20mA 0 to 5 Vdc 0 to 10 V dc
Signal	Pulse input compatible with reed switch, Hall effect or optical detectors
Display	Status LEDs Red for output errors Green for signal input.
Enclosure	IP66 (NEMA 4X) High impact glass polymer.
Temp	0°C to +50°C.
Frequency range	0.25/0.5 - 1KHz. Selectable. In four ranges Output damping for low frequencies
Sensor Supply	5 volts regulated up to 50mA



Calibration.

As with nearly all of our products calibration is performed for you at our factory on equipment that has traceable calibrations to national standards. If for any reason the analogue converter requires re-calibration in situ the following procedure may be followed.

1. Select from the chart below the anticipated operating range for the converter.
2. With no pulse input (or your minimum) set the zero flow output. This may be 0 volts, 0mA or 4mA depending on the requirements.
3. Set the flow to your maximum or inject a frequency equivalent to this and adjust the span potentiometer to give your required full scale.
4. If the output LED shows an over or under range status select the next frequency range up or down and start again.

Mat'ls of construction

UV resistant polycarbonate case, stainless steel screws.

Order codes

370-005	0/4-20mA
370-006	0-10V
370-007	0-5V

Frq. Range	Sw1	Sw2	Sw3	Sw4
5-25 Hz	off	off	off	off
20-80 Hz	on	off	off	off
70-245 Hz	off	on	off	off
225-850 Hz	on	on	off	off

For low frequency use, Sw4 on reduces output jitter.